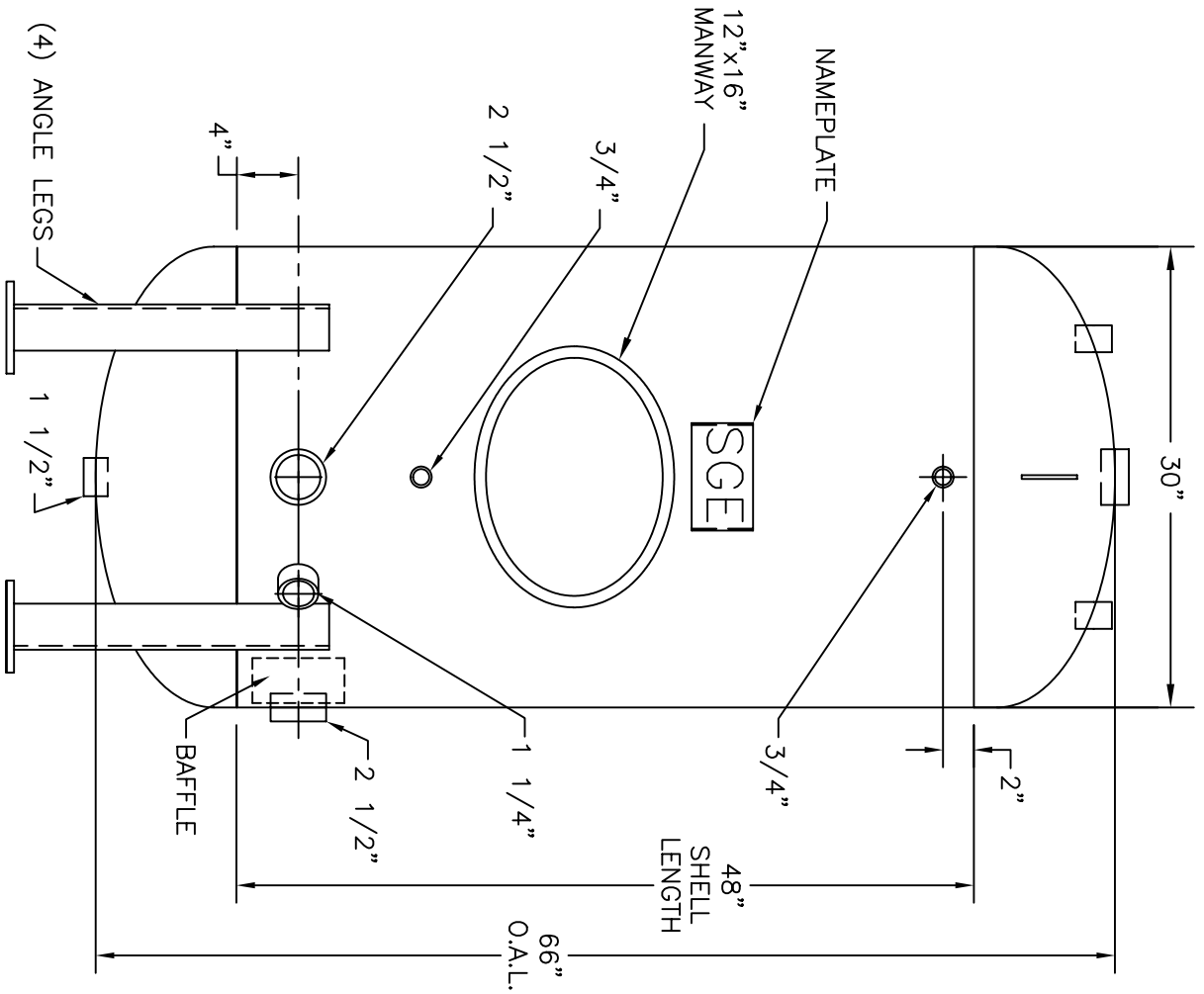


- NOTES:**
1. EPOXY LINING IS SUITABLE TO 200° F.
  2. LINING APPROVED FOR POTABLE WATER.
  3. CONTACT FACTORY FOR OPTIONAL INSULATION.



**VST30-48E STOCK HOT WATER STORAGE TANK**

SUBMITTED BY:		CONSTRUCTION AND STAMPING PER	
JOB NAME:		A.S.M.E CODE, SECTION VIII, DIVISION 1	
SERIAL NO.: <i>WILL ADVISE</i>		MODEL NO: VST30-48E	
DATE:		APPVD BY:	
DESIGN/M.A.W.P. 150/150 PSI		LINING: <i>EPOXY</i>	
TEST PRESSURE: 195 PSI		VOLUME: 185 GAL.	
		WEIGHT: 400 LBS	



**SOUTH GATE  
ENGINEERING**

13477 YORBA AVENUE  
CHINO, CALIFORNIA  
91710

PH. (909) 628-2779  
FAX. (909) 628-6779