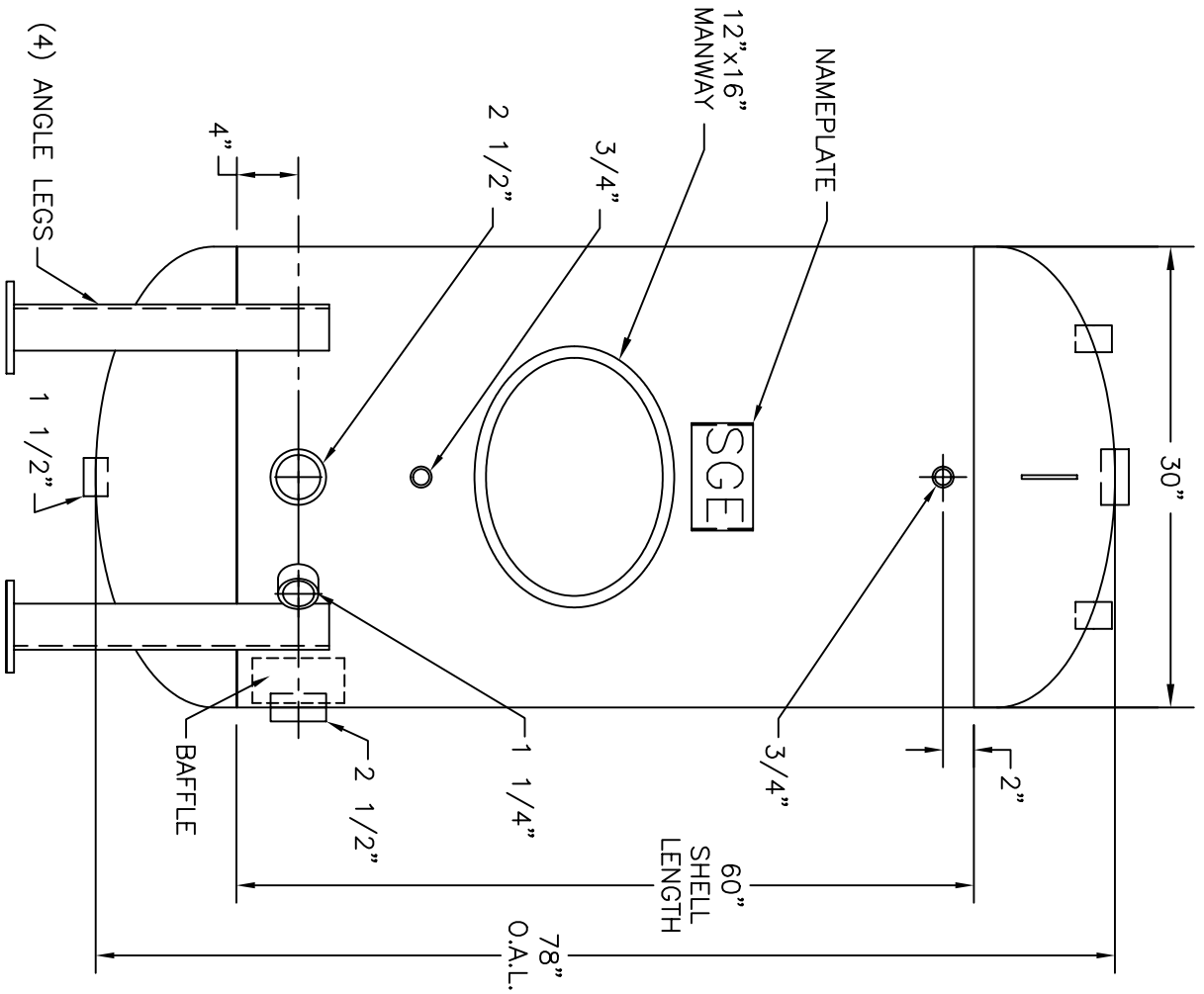


- NOTES:**
1. EPOXY LINING IS SUITABLE TO 200° F.
 2. LINING APPROVED FOR POTABLE WATER.
 3. CONTACT FACTORY FOR OPTIONAL INSULATION.



VST30-60E STOCK HOT WATER STORAGE TANK

SUBMITTED BY:

JOB NAME:

SERIAL NO.: *WILL ADVISE*

DATE:

DESIGN/M.A.W.P. *150/150* PSI

TEST PRESSURE: *195* PSI

CONSTRUCTION AND STAMPING PER

A.S.M.E CODE, SECTION VIII, DIVISION 1

WORKING TEMP. (Max./Min.) *200/-20* F°

VOLUME: *222* GAL.

MODEL NO: VST30-60E

APPVD BY:

LINING: *EPOXY*

WEIGHT: *475* LBS



13477 YORBA AVENUE
CHINO, CALIFORNIA
91710

PH. (909) 628-2779
FAX. (909) 628-6779