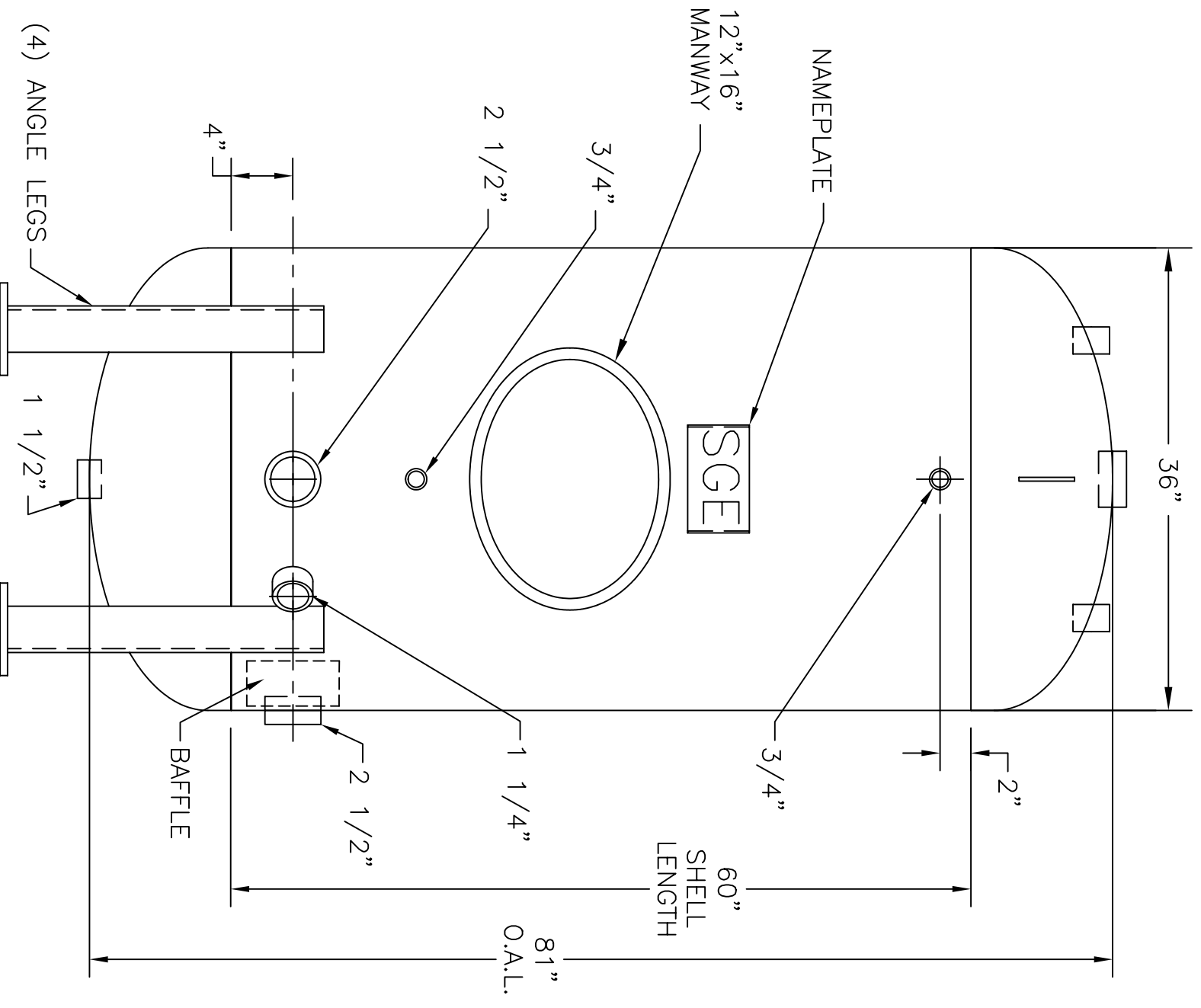


- NOTES:**
1. EPOXY LINING IS SUITABLE TO 200° F.
 2. LINING APPROVED FOR POTABLE WATER.
 3. CONTACT FACTORY FOR OPTIONAL INSULATION.



VST36-60E STOCK HOT WATER STORAGE TANK

SUBMITTED BY:			
JOB NAME:			
SERIAL NO.:	WILL ADVISE	CONSTRUCTION AND STAMPING PER	MODEL NO: VST36-60E
DATE:		A.S.M.E CODE, SECTION VIII, DIVISION 1	APPVD BY:
DESIGN/M.A.W.P.	150/150 PSI	WORKING TEMP. (Max./Min.)	200/-20 F°
TEST PRESSURE:	195 PSI	VOLUME:	328 GAL.
		WEIGHT:	600 LBS

13477 YORBA AVENUE
CHINO, CALIFORNIA
91710
PH.(909)628-2779
FAX.(909)628-6779



**SOUTH GATE
ENGINEERING**