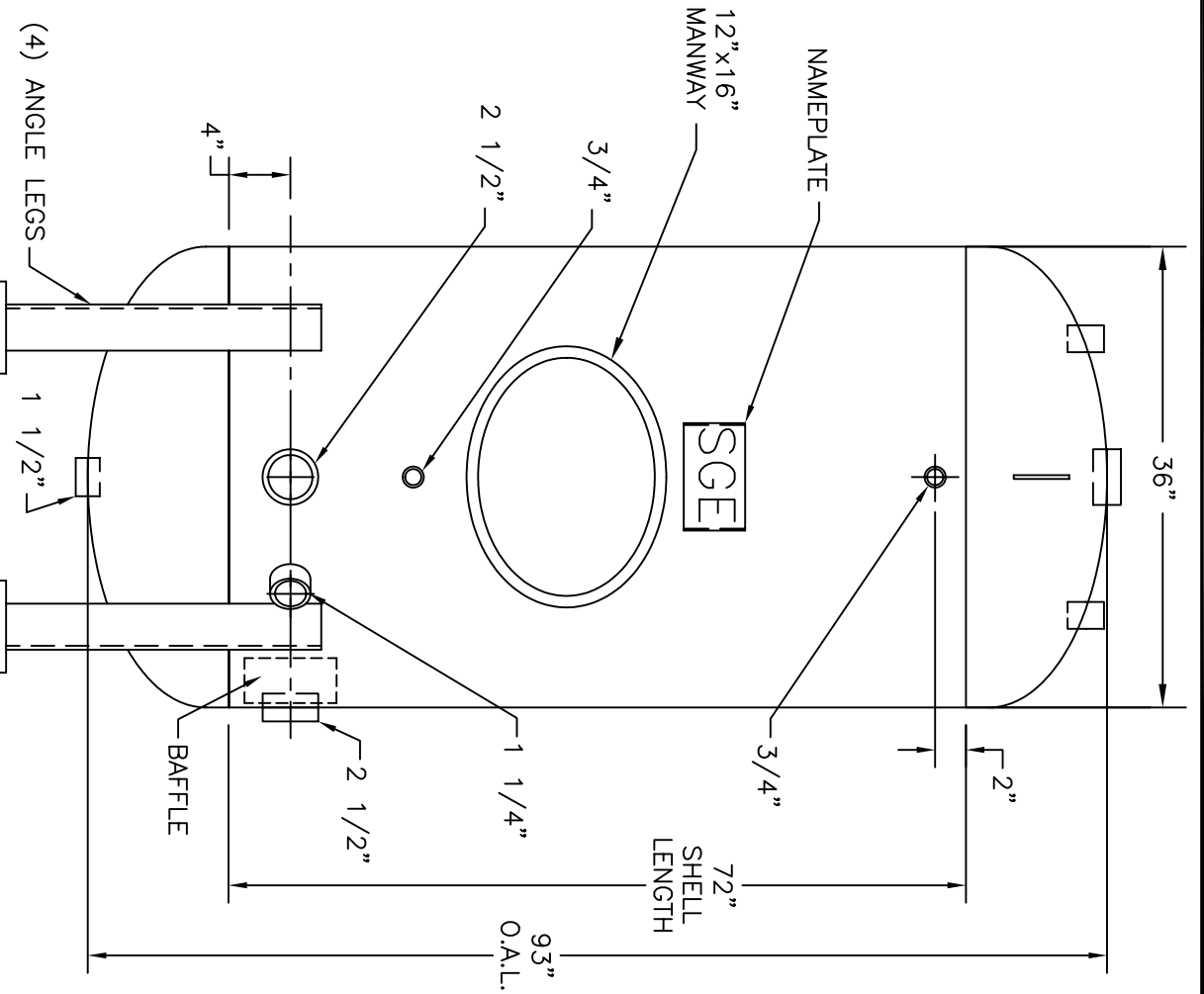


- NOTES:**
1. EPOXY LINING IS SUITABLE TO 200° F.
  2. LINING APPROVED FOR POTABLE WATER.
  3. CONTACT FACTORY FOR OPTIONAL INSULATION.



**VST36-72E STOCK HOT WATER STORAGE TANK**

SUBMITTED BY:		CONSTRUCTION AND STAMPING PER	
JOB NAME:		A.S.M.E CODE, SECTION VIII, DIVISION 1	
SERIAL NO.:	WILL ADVISE	MODEL NO:	VST36-72E
DATE:		APPVD BY:	
DESIGN/M.A.W.P.:	150/150 PSI	WORKING TEMP. (Max./Min.):	200/-20 F°
TEST PRESSURE:	195 PSI	VOLUME:	379 GAL.
		WEIGHT:	650 LBS

**SOUTH GATE ENGINEERING**

13477 YORBA AVENUE  
CHINO, CALIFORNIA 91710

PH. (909) 628-2779  
FAX. (909) 628-6779